



## GAUGE POLE FLOAT BASIN

Designed to make a gauger's job easier and safer, the HMT's Gauge Pole Float Basin eliminates product spills on the gauger platform, provides a place for supplies as well as a place to set the Gauge Pole Float while taking samples or level readings.

HMT's Gauge Pole Float Basin is designed to return any residual product to the tank through the gauge pole.

For a gauge pole basin that will eliminate unnecessary product spills on the gauger platform and act as a handy work station while taking product samples or level readings, choose the HMT Gauge Pole Float Basin.



### Key benefits:

The HMT Gauge Pole Float Basin key benefits are:

**Fast, easy install**— requiring only four bolts and a gasket, the Gauge Pole Float Basin is installed quickly and easily

**Eliminates unnecessary product spills on the gauger platform** — designed with a sloped base, any product from the Gauge Pole Float and chain will drain back into the tank via the gauge pole

**Long service life** — fabricated stainless steel construction to last

**Designed under the guidance of the most stringent environment regulations** — utilizing a gasketed connection to the gauge pole

**Safer working environment** — creates a safer work environment for gaugers

### Key design features:

- Sloped interior allows product to drain back into the tank via the gauge pole
- Stainless steel construction; built to last
- Easily attached to the top of the gauge pole utilizing four bolts and a gasket
- Designed to be installed while the tank is in service or out of service
- Easy-to-open gauge cover that replaces the traditional gauge hatch

## THE HMT GAUGE POLE BASIN DESIGN

HMT's Gauge Pole Basin offers an efficient work area for gaugers. Here's why:

### 1. Smart, lightweight and designed to last

The HMT Gauge Pole Float Basin provides the gauger a place to set the float while taking samples or level readings and eliminates messes from removing the Gauge Pole Float. In addition, the space inside the basin is designed to hold sample bottles and gauge tape. Constructed with light-weight stainless steel, the basin is designed to last for years to come.

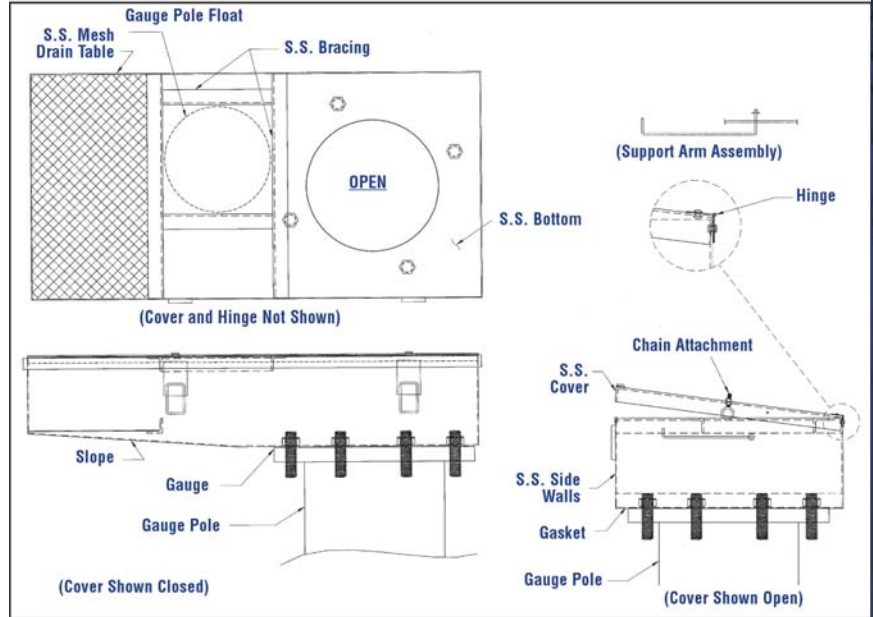
### 2. Designed to return residual product to the tank

Designed with a sloping base, residual product from the float and float chain drains back into the tank via the gauge pole.

### 3. Easy to install

The Gauge Pole Float Basin, is easily attached to the top of the gauge pole with just four bolts and a gasket. The Gauge Pole Basin gasketed connection was designed under the guidance of the most stringent environmental regulations.

The basin can be installed while the tank is in service and is a convenient, light-weight, lift top cover that replaces the traditional gauge hatch.



## ABOUT HMT

HMT is the global leader in aboveground storage tank solutions. HMT's global team of engineers, project managers and field personnel can assist with common challenges including ways to reduce emissions, optimize tank capacity, reduce stranded inventory and engineer a tank system that exceeds safety standards and extends maintenance intervals.

**HMT's full suite of tank products includes:** External Seal Systems - Internal Seal Systems - Drain and Floating Suction Systems - Geodesic Domes - Skin and Pontoon IFRs - Full Contact IFRs - Emissions Reduction Devices

HMT LLC | 24 Waterway Avenue, Suite 400, The Woodlands, Texas 77380

Ph: +1.281.681.7000 | Fax: +1.281.419.7689 | Locations worldwide

Visit us at [www.hmttank.com](http://www.hmttank.com)

